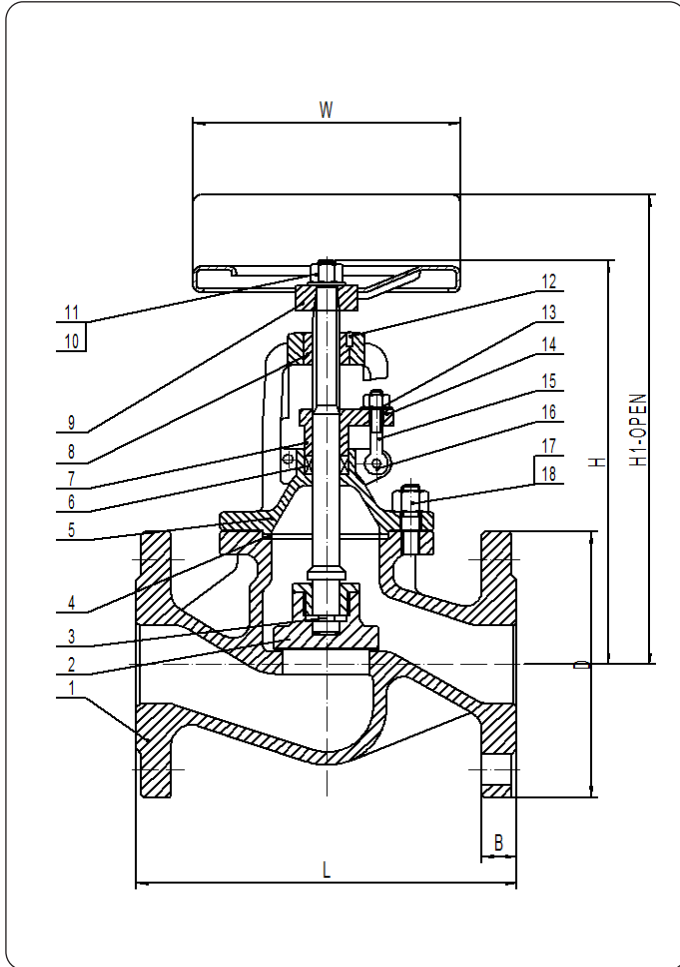


产品标准

standard features

- **产品描述**
Description BOLTED BONNET
OUTSIDE SCREW AND YOKE
RISING STEM
RISING HANDWHEEL
LOOSE DISC
- **设计标准**
Design EN13709
- **结构长度标准**
Face to face EN 558-1
- **法兰标准**
Flanges EN1092-B1
- **对焊连接标准**
Butt welded EN12627 AND DIN 3239
- **检验标准**
Testing DIN 3352 Part 1
DIN 3230 Part 3
- **等级标准**
Rating DIN 2401
- **标识标准**
Marking EN 19
CE - PED
- **证书标准**
Certificates EN 10204 - 3.1



零件名称 / PART NAME	材质 / MATERIAL		
1 阀体 / Body	1.0619(GS-C25)	1.4308(CF8)	1.4408(CF8M)
2 阀瓣 / Disc seat surface	X20Cr13(1)	1.4301(F304)+(1)	1.4401(F316)+(1)
* 阀座 / Seat surface	13Cr(1)	SS304+(1)	SS316+(1)
3 阀杆 / Stem	X20Cr13(2)	1.4301(F304)(2)	1.4401(F316)(2)
4 复合垫 / Gasket	S.S.+graphite/S.S.+柔性石墨(4)	S.S.+graphite/S.S.+柔性石墨(4)	S.S.+graphite/S.S.+柔性石墨(4)
* 上密封座 / Back seat (integral)	13Cr(1)	SS304+(1)	SS316+(1)
5 阀盖 / Bonnet	1.0619(GS-C25)	1.4308(CF8)	1.4408(CF8M)
6 填料 / Packing	Graphite / 柔性石墨(4)	Graphite / 柔性石墨(4)	Graphite / 柔性石墨(4)
7 填料压盖 / Gland	1.0619(GS-C25)	1.4308(CF8)	1.4408(CF8M)
8 阀杆螺母 / Stem nut	GGG40.3(3)	GGG40.3(3)	GGG40.3(3)
9 手轮 / Handwheel	Steel / 钢	Steel / 钢	Steel / 钢
10 垫片 / Shim	SS304	SS304	SS304
11 手轮螺帽 / Handwheel nut	SS304	SS304	SS304
12 螺丝钉 / Screw	CK35	CK35	CK35
13 活节螺栓 / Eye bolts	A193 B7	A193 B8	A193 B8M
14 螺母 / Nuts	A194 2H	A193 8	A193 8M
15 活节螺栓销 / Eye bolt pin	CK35	CK35	A2-70
16 垫片 / Shim	CK35	SS304	SS304
17 螺母 / Nuts	A193 B7	A193 B8	A193 B8M
18 螺栓 / Bolts	A194 2H	A193 8	A193 8M

(1) On request: faced with Stellite® - Monel® - Hastelloy® - other materials
 (2) On request: 17 Cr - Monel® - Hastelloy® - other materials
 (3) On request: Cu Alloy
 (4) On request: PTFE - other materials

(1)根据要求密封面可焊STL、蒙乃尔合金、哈氏合金等。
 (2)根据要求阀杆可采用18Cr、STL、蒙乃尔合金、哈氏合金等材质。
 (3)根据要求可采用铜螺母。
 (4)根据要求填料可换为PTFE等材质。

All data, subject to technical changes, are only for information and not for official use.



凯煌阀门

MANUFACTURER OF VALVES

德标截止阀

DIN GLOBE VALVE WITH PACKING SEAL DIN PN16-PN25-PN40

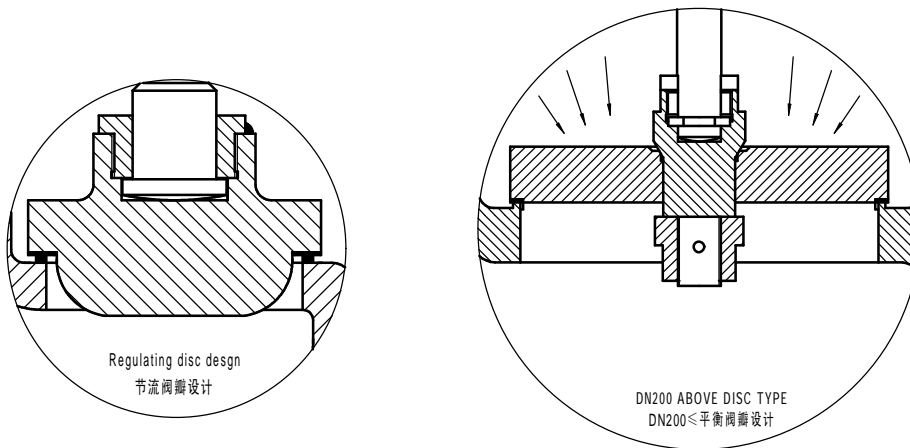
FIG. GV01 - GLOBE VALVES BOLTED BONNET DIN PN16-CAST STEEL-F1

SIZE DN	15	20	25	32	40	50	65	80	100	125	150	200	250	300	350	400
L RF	130	150	160	180	200	230	290	310	350	400	480	600	730	850	980	1100
D	95	105	115	140	150	165	185	200	220	250	285	340	405	460	520	580
W	120	140	140	140	160	160	180	200	250	250	350	500	500	500	600	600
H	175	185	200	200	235	245	275	305	340	410	460	570	750	900	1040	1290
H1	176	183	216	220	260	275	293	338	377	461	525	625	845	975	1128	1390

FIG. GV02 - GLOBE VALVES BOLTED BONNET DIN PN 25 / 40 - F1

SIZE DN	15	20	25	32	40	50	65	80	100	125	150	200	250	300	350	400
L RF/BW	130	150	160	180	200	230	290	310	350	400	480	600	730	850	980	1100
D - PN25	95	105	115	140	150	165	185	200	235	270	300	360	425	485	555	620
D - PN40	95	105	115	140	150	165	185	200	235	270	300	375	450	515	580	660
W	120	140	140	140	160	160	180	200	250	250	350	500	500	500	600	600
H	175	185	200	200	235	245	275	305	340	410	460	750	900	1040	1290	1400
H1	176	183	216	220	260	275	293	338	377	461	525	845	975	1128	1390	1513

技术参数 / Technical parameters



新功能需求 / features on request

- TOP FLANGE TO ISO 5210 / 执行器连接法兰标准 : IOS5210
- GEAR OPERATOR / 齿轮操作
- CHAIN WHEEL OPERATOR / 链条轮操作
- PNEUMATIC ACTUATOR / 气动执行器
- HYDRAULIC ACTUATOR / 液压执行器
- ELECTRIC ACTUATOR / 电动执行器
- POSITION INDICATOR / 位置显示器
- LIMIT SWITCHES / 限位开关
- LOCKING / INTERLOCK SYSTEM / 锁紧/连锁系统
- PTFE SOFT SEATS / PTFE软密封阀座
- STEM PROTECTION / EXTENSION / 阀杆保护/延长寿命
- REGULATING DISC / 节流阀瓣
- DOUBLE STAGE DISC / 双阀瓣设计
- STOP CHECK DISC / 止回阀瓣设计
- LIVE LOADED PACKING / 填料压板设计
- DRAIN PLUG / 排污堵头
- BW ENDS / 对焊连接法兰
- ANSI CONNECTIONS / 美标连接法兰

All dimensions in mm (except where differently indicated)

All data, subject to technical changes, are only for information and not for official use.

温州凯煌阀门有限公司 地址：中国浙江省温州市永嘉县瓯北镇
 KWIN VALVE CO.,LTD Add:Oubei town, YongJia county,WenZhou City, ZheJiang province,China Post code:325102
 Phone: +86 577 67162399 Fax:+86 67161399 E-mail:dida_lu@126.com Website: http://ww.kwinvalve.com