

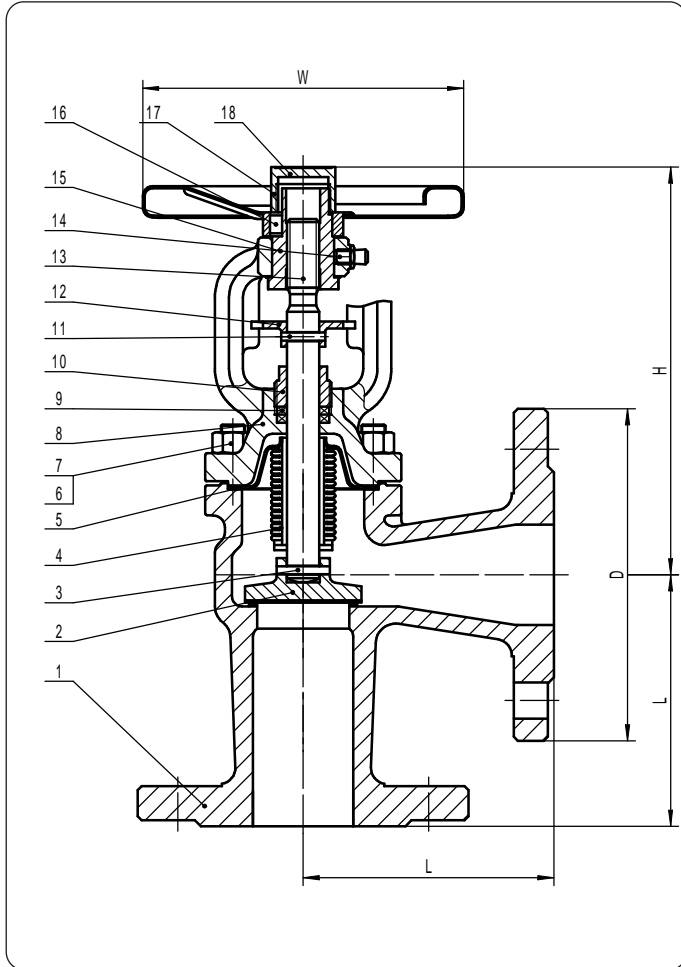


凯煌阀门
MANUFACTURER OF VALVES

德标角式波纹管截止阀
GLOBE VALVES - BELLOW SEAL 90° ANGLE
DIN PN16-PN25-PN40

产品标准
standard features

- **产品描述**
Description BOLTED BONNET
OUTSIDE SCREW AND YOKE
RISING STEM
NON RISING HANDWHEEL
- **设计标准**
Design EN 13709
DIN 3352
- **结构长度标准**
Face to face EN 558-1-8a Series
DIN 3202 F32
- **法兰标准**
Flanges EN1092-B1
- **对焊连接标准**
Butt welded EN12627 AND DIN 3239
- **检验标准**
Testing EN 12266
- **等级标准**
Rating DIN 2401
- **波纹管标准**
Bellows MSS-SP 117
- **标识标准**
Marking EN 19
CE - PED
- **证书标准**
Certificates EN 10204 - 3.1



零件名称 / PART NAME	材质 / MATERIAL		
1 阀体 / Body	1.0619(GS-C25)	1.4308(CF8)	1.4408(CF8M)
2 阀座 / Seat surface	X20Cr13(1)	1.4301(F304)+(1)	1.4401(F316)+(1)
3 阀瓣 / Disc seat surface	13Cr(1)	SS304+(1)	SS316+(1)
* 阀瓣销 / Disc pin	S.S	S.S	S.S
4 波纹管 / Bellows	SS304/SS316L	SS304/SS316L	SS316L
5 复合垫 / Gasket	S.S.+graphite/S.S.+柔性石墨(4)	S.S.+graphite/S.S.+柔性石墨(4)	S.S.+graphite/S.S.+柔性石墨(4)
6 螺母 / Nuts	A194 2H	A194 8	A194 8M
7 螺栓 / Bolts	A193 B7	A193 B8	A193 B8M
8 阀盖 / Bonnet	1.0619(GS-C25)	1.4308(CF8)	1.4408(CF8M)
9 填料 / Packing	Graphite/柔性石墨(4)	Graphite/柔性石墨(4)	Graphite/柔性石墨(4)
10 填料压盖 / Gland	1.0460(A105)	SS304	SS316
11 定位销 / Pin	S.S	S.S	S.S
12 定位块 / No rot.device	A105	S.S	S.S
13 阀杆 / Stem	X20Cr13(2)	1.4301(F304)	1.4401(F316)
14 油嘴 / Grease nipple	Cu-Alloy/铜合金	Cu-Alloy/铜合金	Cu-Alloy/铜合金
15 支架螺母 / Yoke nut	GGG40.3(3)	Cu-Alloy/铜合金	Cu-Alloy/铜合金
16 手轮销子 / Flat key	S.S	S.S	S.S
17 手轮 / Handwheel	Steel/钢	Steel/钢	Steel/钢
18 手轮并帽 / Lock nut	1.0460(A105)	1.0460(A105)	1.0460(A105)

(1) On request: faced with Stellite - Monel - Hastelloy - other materials

(2) On request: 18 Cr - Monel® - Hastelloy® - other materials

(3) On request: Cu Alloy

(4) On request: PTFE - other materials

(1) 根据要求密封面可焊STL、蒙乃尔合金、哈氏合金等。

(2) 根据要求阀杆可采用18Cr、STL、蒙乃尔合金、哈氏合金等材质。

(3) 根据要求可采用铜螺母。

(4) 根据要求填料可换为PTFE等材质。

All data, subject to technical changes, are only for information and not for official use.

温州凯煌阀门有限公司 地址：中国浙江省温州市永嘉县瓯北镇
KWIN VALVE CO.,LTD Add:Oubei town, YongJia county,WenZhou City, ZheJiang province,China Post code:325102
 Phone: +86 577 67162399 Fax:+86 67161399 E-mail:dida_lu@126.com Website: http://ww.kwinvalve.com



凯煌阀门
MANUFACTURER OF VALVES

德标角式波纹管截止阀
GLOBE VALVES - BELLOW SEAL 90° ANGLE
DIN PN16-PN25-PN40

FIG.BSV1 BELLOWS SEAL GLOBE VALVE DIN PN16 - Face to Face EN 558-8a series and DIN3202 F32

SIZE DN	15	20	25	32	40	50	65	80	100	125	150	200	250	300	350	400
L RF	90	95	100	105	115	125	145	155	175	200	225	275	325	375	425	475
D	95	105	115	140	150	165	185	200	220	250	285	340	405	460	520	580
W	120	140	140	140	160	160	180	200	250	250	350	450	500	500	600	600
H	196	196	205	205	222	224	240	265	350	380	410	550	715	790	950	1030
STROKE	8	8	10	10	15	16	18	22	28	34	40	60	75	85	100	115

FIG.BSV2 BELLOWS SEAL GLOBE VALVE DIN PN25 - Face to Face EN 558-8a series and DIN3202 F32

SIZE DN	15	20	25	32	40	50	65	80	100	125	150	200	250	300	350	400
L RF/BW	90	95	100	105	115	125	145	155	175	200	225	275	325	375	425	475
D	95	105	115	140	150	165	185	200	235	270	300	360	425	485	555	620
W	140	140	160	160	180	180	200	250	300	350	400	500	500	500	600	600
H	196	196	205	205	222	224	240	265	350	380	410	550	715	790	950	1030
STROKE	8	8	10	10	15	16	18	22	28	34	40	60	75	85	100	115

FIG.BSV3 BELLOWS SEAL GLOBE VALVE DIN PN40 - Face to Face EN 558-8a series and DIN3202 F32

SIZE DN	15	20	25	32	40	50	65	80	100	125	150	200	250	300	350	400
L RF/BW	90	95	100	105	115	125	145	155	175	200	225	275	325	375	425	475
D	95	105	115	140	150	165	185	200	235	270	300	375	450	515	580	660
W	140	140	160	160	180	180	200	250	300	350	400	500	500	500	600	600
H	196	196	205	205	222	224	240	265	350	380	410	550	715	790	950	1030
STROKE	8	8	10	10	15	16	18	22	28	34	40	60	75	85	100	115

新功能需求 / *features on request*

- TOP FLANGE TO ISO 5210 / 执行器连接法兰标准 : IOS5210
- GEAR OPERATOR / 齿轮操作
- CHAIN WHEEL OPERATOR / 链条轮操作
- PNEUMATIC ACTUATOR / 气动执行器
- HYDRAULIC ACTUATOR / 液压执行器
- ELECTRIC ACTUATOR / 电动执行器
- POSITION INDICATOR / 位置显示器
- LIMIT SWITCHES / 限位开关
- LOCKING / INTERLOCK SYSTEM / 锁紧/连锁系统
- PTFE SOFT SEATS / PTFE软密封阀座
- STEM PROTECTION / EXTENSION/ 阀杆保护/延长寿命
- REGULATING DISC / 节流阀瓣
- DOUBLE STAGE DISC / 双阀瓣设计
- STOP CHECK DISC / 止回阀瓣设计
- LIVE LOADED PACKING / 填料压板设计
- DRAIN PLUG / 排污堵头
- BW ENDS / 对焊连接法兰
- ANSI CONNECTIONS / 美标连接法兰

All dimensions in mm (except where differently indicated)

All data, subject to technical changes, are only for information and not for official use.

温州凯煌阀门有限公司 地址：中国浙江省温州市永嘉县瓯北镇
KWIN VALVE CO.,LTD Add:Oubei town, YongJia county,WenZhou City, ZheJiang province,China Post code:325102
 Phone: +86 577 67162399 Fax:+86 67161399 E-mail:dida_lu@126.com Website: http://ww.kwinvalve.com