

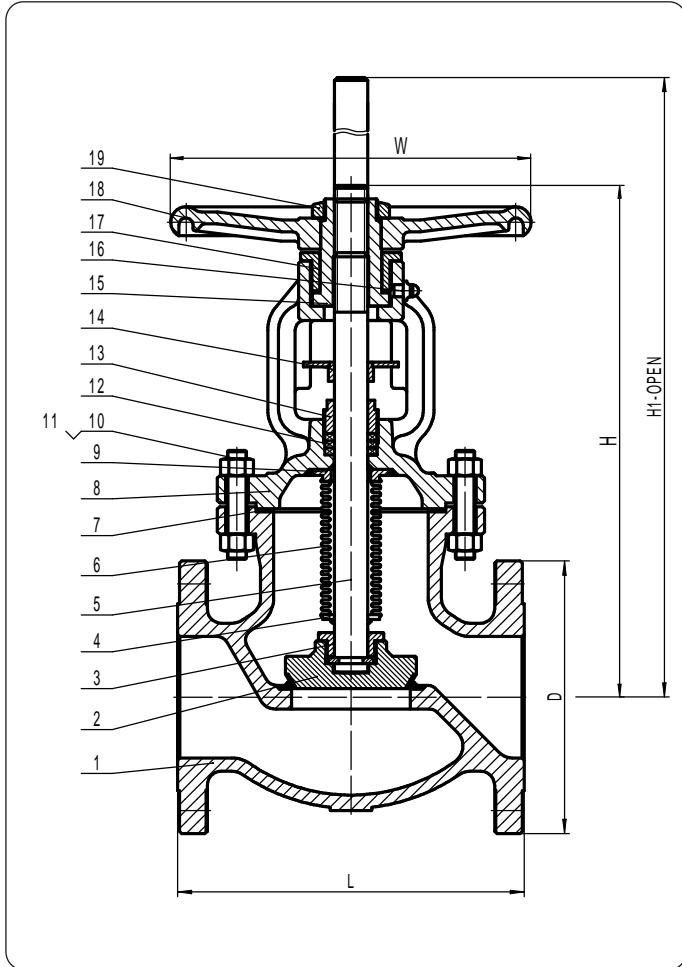


凯煌阀门
MANUFACTURER OF VALVES

美标波纹管截止阀
GLOBE VALVES - BELLOW SEAL
ASME 150 - 300 - 600 - 900 - 1500

产品标准
standard features

- **产品描述**
Description BOLTED BONNET
OUTSIDE SCREW AND YOKE
RISING STEM
NON RISING HANDWHEEL
- **结构长度标准**
Face to face BS 1873
ASME B16.34
WALL THICKNESS TO API 600
- **法兰标准**
Flanges ASME B16.10
- **对焊连接标准**
Butt welded ASME B16.5
BW ENDS TO ASME B16.25
- **检验标准**
Testing API 598
API 6D
BS 6755
- **等级标准**
Rating ASME B16.34
- **标识标准**
Marking MSS-SP 25
CE - PED
- **证书标准**
Certificates EN 10204 - 3.1 B



零件名称 / PART NAME	材质/MATERIAL									
	W CB	LCB	WC6	C5	C12	CF8	CF8C	CF8M	CF3M	
1 阀体 / Body	W CB	LCB	WC6	C5	C12	CF8	CF8C	CF8M	CF3M	
2 阀瓣 / Disc seat surface	F6A (2)	F6A (2)	F6A (2)	F6A (2)	F6A (2)	F304 (2)	F321 (2)	F316 (2)	F316L (2)	
* 阀座 / Seat ring surface	F6A (1)	F6A (1)	F6A (1)	F6A (1)	F6A (1)	F304 (1)	F321 (1)	F316 (1)	F316L (1)	
3 阀瓣并帽 / Screw	C.S	C.S	F6A	F6A	F6A	F304	F321	F316	F316L	
4 波纹管垫片 / Bellow gasket	← SS304 and SS316 →									
5 阀杆 / Stem	F6A (3)	F6A (3)	F6A (3)	F6A (3)	F6A (3)	F304 (3)	F321 (3)	F316 (3)	F316L (3)	
6 波纹管 / Bellows	← SS304 and SS316 →									
7 复合垫 / Gasket	← S.S.+graphite /S.S.+柔性石墨 (5) →									
8 阀盖 / Bonnet	W CB	LCB	WC6	C5	C12	CF8	CF8C	CF8M	CF3M	
9 波纹管垫片 / Bellow gasket	← SS304 and SS316 (5) →									
10 螺栓 / Bolts	B7	L7	B16	B16	B16	B8	B8	B8	B8	
11 螺母 / Nuts	2H	G4	G4	G4	G4	G8	G8	G8	G8	
12 填料 / Packing	← Graphite / 柔性石墨 →									
13 填料压盖 / Gland flange	W CB	LCB	WC6	C5	C12	CF8	CF8C	CF8M	CF3M	
14 定位块 / No rot.device	F6A	F6A	F6A	F6A	F6A	F304	F321	F316	F316L	
15 支架螺母 / Yoke sleeve	GGG40.3(4)	GGG40.3 (4)	Nod.Iron	Nod.Iron	Nod.Iron	B148 9A (4)	B148 9A (4)	B148 9A (4)	B148 9A	
16 油嘴 / Grease nipple	← Cu Alloy / 铜合金 →									
17 支架并帽 / Screw	C.S	C.S	F6A	F6A	F6A	F304	F321	F316	F316L	
18 手轮 / Handwheel	← Steel / 钢 →									
19 手轮并帽 / handwheel nut	← A105 →									

- (1) On request: faced with Stellite® - Monel® - Hastelloy® - other materials (1)根据要求密封面可焊STL、蒙乃尔合金、哈氏合金等。
- (2) On request: faced with Stellite® - Monel® - Hastelloy® - other materials (2)根据要求密封面可焊STL、蒙乃尔合金、哈氏合金等。
- (3) On request: 17 Cr - Monel® - Hastelloy® - other materials (3)根据要求阀杆可采用18Cr、STL、蒙乃尔合金、哈氏合金等材质。
- (4) On request: Nodular Iron - Nitronic 60 (4)根据要求可采用球墨铸铁、Nitronic 60材质。
- (5) On request: PTFE - other materials (5)根据要求可换为PTFE等材质。

All data, subject to technical changes, are only for information and not for official use.

温州凯煌阀门有限公司 地址：中国浙江省温州市永嘉县瓯北镇
KWIN VALVE CO.,LTD Add:Oubei town, YongJia county,WenZhou City, ZheJiang province,China Post code:325102
Phone: +86 577 67162399 Fax:+86 67161399 E-mail:dida_lu@126.com Website: http://www.kwinvalve.com



凯煌阀门

MANUFACTURER OF VALVES

美标波纹管截止阀

GLOBE VALVES - BELLOW SEAL

ASME 150 - 300 - 600 - 900 - 1500

FIG. S. W001 GLOBE VALVES BELLOW SEAL ASME CLASS 150

SIZE	2"	2½"	3"	4"	5"	6"	8"	10"	12"	14"	16"	--	--	--	--
L RF/BW	203	216	241	292	356	406	495	622	699	787	914	--	--	--	--
L RTJ	216	219	254	305	368	419	508	635	711	800	927	--	--	--	--
D	152	178	191	229	254	279	343	406	483	533	597	--	--	--	--
W	200	200	225	250	300	300	400*	500*	500*	800*	800*	--	--	--	--
H	340	370	400	440	500	580	700	800	900	970	1270	--	--	--	--
H1	355	390	424	470	538	625	760	875	990	1090	1410	--	--	--	--

FIG. S. W002 GLOBE VALVES BELLOW SEAL ASME CLASS 300

SIZE	2"	2½"	3"	4"	5"	6"	8"	10"	12"	14"	16"	--	--	--	--
L RF/BW	267	292	318	356	400	445	533	622	711	838	864	--	--	--	--
L RTJ	282	308	333	371	416	460	549	638	727	854	879	--	--	--	--
D	165	191	210	254	279	318	381	445	521	584	648	--	--	--	--
W	200	225	225	300	300	400*	500*	600*	800*	1000*	1000*	--	--	--	--
H	410	420	430	44	590	700	820	900	1050	1200	1440	--	--	--	--
H1	425	440	454	74	628	745	880	975	1140	1320	1800	--	--	--	--

FIG. S. W003 GLOBE VALVES BELLOW SEAL ASME CLASS 600

SIZE	2"	2½"	3"	4"	5"	6"	8"	10"	12"	14"	16"	--	--	--	--
L RF/BW	292	330	356	432	508	559	660	787	838	889	991	--	--	--	--
L RTJ	295	333	359	435	511	562	663	790	841	892	994	--	--	--	--
D	165	191	210	273	330	356	419	508	559	603	686	--	--	--	--
W	200	250	250	300*	500*	600*	600*	900*	1000*	1000*	1000*	--	--	--	--
H	370	525	565	620	700	800	860	1280	1350	1490	1720	--	--	--	--
H1	385	545	589	650	738	845	920	1355	1440	1630	2100	--	--	--	--

FIG. S. W004 GLOBE VALVES BELLOW SEAL ASME CLASS 900

SIZE	2"	2½"	3"	4"	5"	6"	8"	10"	12"
L RF/BW	368	419	381	457	559	610	737	838	965
L RTJ	371	422	384	460	562	613	740	842	968
D	216	244	241	292	349	381	470	546	610
W	250	250	350*	500*	650*	700*	900*	1000*	1000*
H	590	710	610	750	890	1000	1170	1540	1720
H1	605	730	634	780	928	1045	1230	1615	1810

新功能需求 / features on request

- TOP FLANGE TO ISO 5210(执行器连接法兰标准:IOS5210)
- GEAR OPERATOR/齿轮操作
- CHAIN WHEEL OPERATOR/链条轮操作
- PNEUMATIC ACTUATOR/气动执行器
- HYDRAULIC ACTUATOR/液压执行器
- ELECTRIC ACTUATOR/电动执行器
- POSITION INDICATOR/位置显示器
- LIMIT SWITCHES/限位开关
- LOCKING / INTERLOCK SYSTEM/锁紧/连锁系统
- DISC WITH PTFE INSERT /PTFE软密封阀座
- PARABOLIC DISC /节流阀瓣设计
- STOP CHECK DISC /止回阀瓣设计
- STEM PROTECTION /阀杆保护
- STEM EXTENSION /阀杆延长寿命
- LANTERN RING /隔环
- EXTENDED STUFFING BOX /延长填料函
- LIVE LOADED PACKING/填料压板设计
- DRAIN PLUG /排污堵头
- BY PASS /带旁通
- BW ENDS /对焊连接法兰
- DIN CONNECTIONS /美标连接法兰

FIG. S. W005 GLOBE VALVES BELLOW SEAL ASME CLASS 1500

SIZE	2"	2½"	3"	4"	5"	6"	8"	10"	12"
L RF/BW	368	419	470	546	673	705	832	991	1130
L RTJ	371	422	473	549	676	711	842	1000	1146
D	216	244	267	311	375	394	483	584	673
W	250*	250*	400*	500*	700*	900*	1000*	1000*	1000*
H	590	710	790	860	930	1000	1100	1720	1810
H1	605	730	814	890	968	1045	1160	1795	1950

* Gear operator recommended

All dimensions in mm (except where differently indicated)

All data, subject to technical changes, are only for information and not for official use.

温州凯煌阀门有限公司 地址: 中国浙江省温州市永嘉县瓯北镇
 KWIN VALVE CO.,LTD Add:Oubei town, YongJia county,WenZhou City, ZheJiang province,China Post code:325102
 Phone: +86 577 67162399 Fax:+86 67161399 E-mail:dida_lu@126.com Website: http://ww.kwinvalve.com